

**PATLITE®**

Explosion-proof Signal Tower EDLR  
Explosion-proof Beacon REF

# Explosion-proof & Harsh Environment



**EDLR**



**REF**

## Approvals



Ex db II B+H<sub>2</sub> T6 Gb



Oil and Gas



Steel Plant



Painting Process



Semiconductor Manufacturing

## Model Number Configuration

# EDLR-302F-RYG-E

Rated Voltage

02 : 24V DC  
M2: 100-240V AC

LED Color

R : Red  
Y : Amber  
G : Green

# REF-M1-□-E

Rated Voltage

M1 : 12-24V DC  
M2: 100-240V AC

LED Color

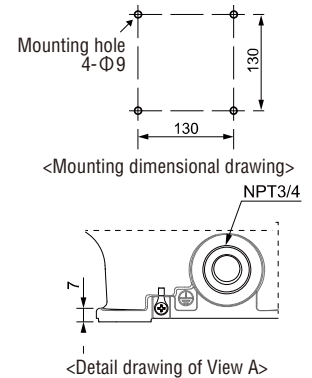
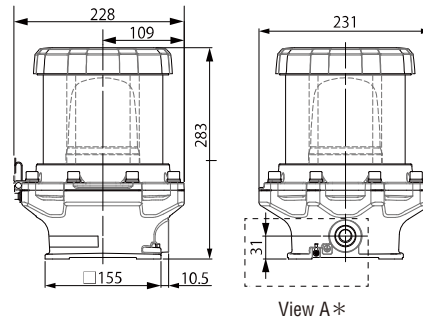
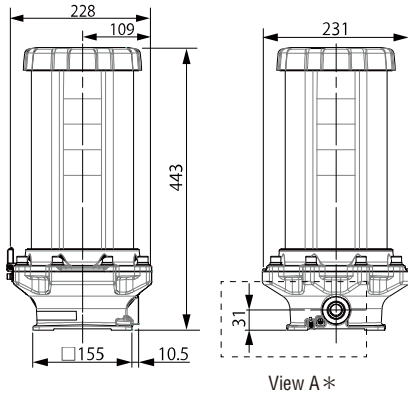
R : Red  
Y : Amber

## Specifications

Model		EDLR-302F	EDLR-3M2F
Rated Voltage		24V DC	100-240V AC (50/60Hz)
Rated Power Consumption	Max.	3.9W	4.0W
Ambient Temperature		-20°C to +50°C	
Mounting Location		Indoor & Outdoor	
Mounting Direction		Upright	
Protection Rating		IP66 (IEC 60529)	
Light Pattern		Continuous/ Flashing (60±2 flashes per minute)	
Mass (Tolerance ± 10%)		9.0kg	
Explosion-proof Specifications	Ex mark	IECEX - Ex db II B+H <sub>2</sub> T6 Gb ATEX - Ⓔ II 2 G Ex db II B+H <sub>2</sub> T6 Gb	
	Explosion-proof Zone	Zone 1 (Class I hazardous locations) Zone 2 (Class II hazardous locations)	

Model		REF-M1	REF-M2
Rated Voltage		12-24V DC	100-240V AC (50/60Hz)
Rated Power Consumption	Max.	5.5W	5.0W
Ambient Temperature		-20°C to +55°C	
Mounting Location		Indoor & Outdoor	
Mounting Direction		Upright	
Protection Rating		IP65 (IEC 60529)	
Light Pattern		Triple-flash/ Continuous/ Rotating (120rpm)	
Luminous intensity (Typ.)		Red: 150cd Amber: 220cd	
Mass (Tolerance ± 10%)		7.06kg	
Explosion-proof Specifications	Ex mark	IECEX - Ex db II B+H <sub>2</sub> T6 Gb ATEX - Ⓔ II 2 G Ex db II B+H <sub>2</sub> T6 Gb	
	Explosion-proof Zone	Zone 1 (Class I hazardous locations) Zone 2 (Class II hazardous locations)	

## Dimensions (Unit: mm)



\*Certified Ex cable gland (Marking: Ex db II C Gb) shall be used to equipment and installed in accordance with EN/IEC 60079-14.

## PATLITE Corporation

PATLITE (U.S.A.) Corporation

PATLITE MEXICO S.A. de C.V.

PATLITE Europe GmbH

PATLITE UK LTD

PATLITE (CHINA) Corporation

PATLITE KOREA CO., LTD.

PATLITE TAIWAN CO., LTD.

PATLITE (THAILAND) CO., LTD.

PATLITE (SINGAPORE) PTE LTD

PT. PATLITE INDONESIA

### CAUTION

To ensure correct use of these products, read the "Instruction Manual" prior to use. Failure to follow all safeguards can result in fire, electric shock, or other accidents. Specifications are subject to change without notice.