

EXPLOSION PROOF ROUTER WIFI ACCESS POINT

The Solexy Router / WiFi access point is a cost effective multipurpose solution for a wide range of wireless application.

Supporting GPRS/EDGE/UMTS/HSPA+/LTE it is dedicated for user seeking for easy and fastest mobile internet access.

Internet connection is easily available and configurable via internet browser without any need of installing software or drivers for the device.

Available with different modems and options such as Wi-Fi, dual sim, GPS receiver is an unique solution for M2M and mobile data application (M2MCloud & M2MAir ready).

With Solexy WA and WS enclosure and thanks to their rugged construction combined to ATEX and IECEx certificates Solexy offers a wireless device suitable for installation in classified areas Ex.



FEATURES

Operating Functions	WiFi access point (Wifi to LAN or WiFi to 3G/LTE/HSPA+) WiFi client (LAN to WiFi) 3G/LTE/HSPA+ client (LAN to 3G/LTE/HSPA+) Serial (232-485) to 3G/LTE/HSPA+ Serial (232-485) to LAN
Operating frequency	Up to quad band 800/850 , 900 , AWS 1700 , 1900 , 2100 (Telit cellular module) according to modem feature
Advanced Management	RS-232/485-TCP/UDP forwarding, ModBus gateway, NTRIP, SMS server, NTP server DHCP (client/server), IEEE 802.1Q tagging, IPsec, OpenVPN, Firewall, NAT, PAT, DDNS, CARP, Static routing, Access Control, Syslog
Option	GPS receiver Dual sim
Heavy duty construction	Explosion proof Ex d IIC enclosure made of alluminum (WA series) or stainless steel (WS series) weather proof IP66/68





EXPLOSION PROOF ROUTER WIFI ACCESS POINTS



SPECIFICATIONS

GENERAL

Power supply 6-30VDC
Power consumption 5W

HARDWARE

CPU ARM9 450 MHz
Internal memory 128 MB RAM
RS Interface RS232 or RS485 via RJ45 connector
LAN Ethernet 100 Mbps

Network connection
U version UMTS 7.2 / 5.76 Mbps
L version LTE 100 / 50 Mbps
H version HSPA+ 21 / 5.76 Mbps

Supported bands GSM 900 Class 4 (2W), DCS 1800 Class 1 (1W), EDGE 900MHz Class E2 (0.5W),
EDGE 1800MHz Class E2 (0.4W)
plus:
H version WCDMA FDD B1, B2, B4, B5, B8 Class 3 (0.25W)
U version WCDMA FDD B1, B8 Class 3 (0.25W)
L version WCDMA FDD B1, B5, B8 Class 3 (0.25W), LTE FDD B3, B7, B20 Class 3 (0.2W)

Data features HSPA+ (downlink 21 Mbit/s, uplink 5,76 Mbit/s)
UMTS (downlink 7,2 Mbit/s, uplink 5,76 Mbit/s)
EDGE (Multi-slot class 10, max BR downlink 236,8 Kb/s)
GPRS (Multi-slot class 10, max BR downlink 85,6 Kb/s)
CSD (Max BR 14,4 Kb/s)
Embedded protocols TCP/IP, UDP/IP, SSL, HTTP, HTTPS, FTP, SMTP, POP3, IBM
MQTT
Class B GSM 07.10 multiplexing protocol


WiFi 802.11 b/g/n, 802.3, 802.3u, data rate up to 150 Mbps

SOFTWARE

Management DHCP (client/server), IEEE 802.1Q tagging, IPsec, OpenVPN, Firewall, NAT, PAT,
DDNS, CARP, Static routing, Access control, Syslog
Advanced RS-232/485-TCP/UDP forwarding, ModBus gateway, NTRIP, SMS server, NTP



APPROVAL

ATEX / IECEx Certification  II 2 (1) G Ex db mb [ia Ga] IIA/IIB/IIC T6 Gb
II 2 (1) D Ex mb tb [ia Da] IIIC T85°C Db
I M2 (M1) Ex db mb [ia Ma] I Mb (WS only)

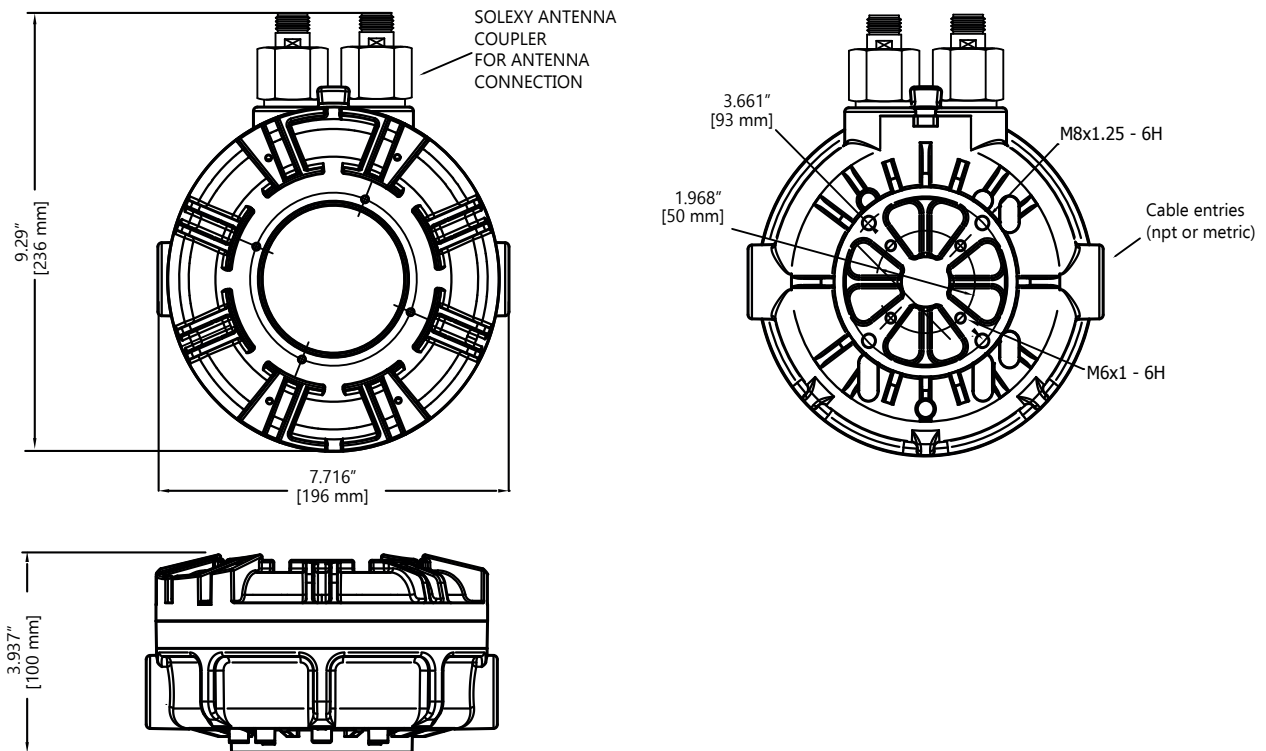
EXPLOSION PROOF ROUTER WIFI ACCESS POINT

NOMENCLATURE

S WA H 2 1 11 - 42 0 X4
 $\frac{\quad}{a} \quad \frac{\quad}{b} \quad \frac{\quad}{c} \quad \frac{\quad}{d} \quad \frac{\quad}{e} \quad \frac{\quad}{f} \quad \frac{\quad}{g}$

- | | |
|---|---|
| <p>a Enclosure
 WA Aluminum polyester powder coated
 WS Stainless steel AISI 316 (CF8M) electropolish</p> <p>b Device
 U 3G
 L LTE
 H HSPA+</p> <p>c Sim slot
 1 Single sim
 2 Dual sim</p> <p>d Interface
 0 Cellular, Serial, LAN
 1 Cellular, WiFi, Serial, LAN</p> | <p>e Antenna coupler
 01 n° 1 AXN series (N Female)
 11 n° 2 AXN series (N Female)
 02 n° 1 AXF series (RP-SMA Female)
 22 n° 2 AXF series (RP-SMA Female)
 12 n° 1 AXF (RP-SMA Female) + n° 1 AXN (N Female)</p> <p>f Cable entries
 42 n° 4 3/4" npt-f
 (one used for antenna coupler)
 44 n° 4 M25x1.5
 (one used for antenna coupler)</p> <p>g Approval
 X3 IECEx and ATEX Gas and Dust
 (WA only)
 X4 IECEx and ATEX Gas, Dust and Mining
 (WS only)</p> |
|---|---|

DIMENSIONAL DRAWINGS



WWW.SOLEXY.NET